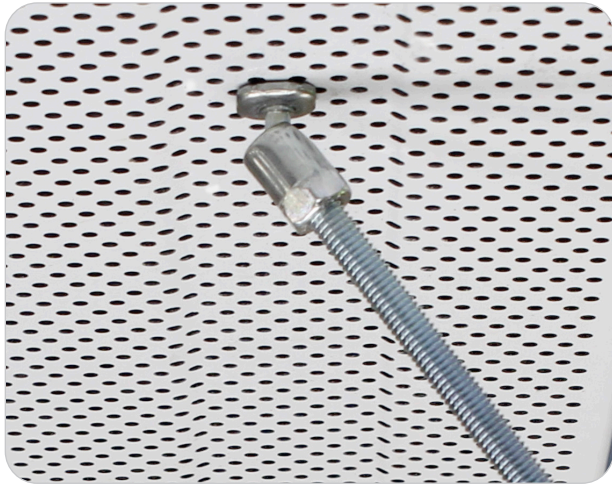


VERCO ROOF DECK SAMMY X-PRESS HANGING SOLUTIONS

HANG AND BRACE YOUR MECHANICAL SYSTEMS FROM VERCO ROOF AND ACOUSTICAL ROOF DECK



ITW BUILDEX SAMMY X-PRESS CONNECTION STRENGTH

GR50/GR40 DECK

SAMMY X-Press Type				Deck Type			
				Solid		Perforated	
Part Number	Model Number	Rod Size (in.)	Deck Gage	Allowable P_n/Ω (lbs)	Design ϕP_n (lbs)	Allowable P_n/Ω (lbs)	Design ϕP_n (lbs)
8181922	XP 200	1/4	22	332 / 277	528 / 441	232 / 194	363 / 303
8150922	XP 20	3/8	20	399 / 337	634 / 535	278 / 235	436 / 368
8294922	SXP 20	3/8	19	467 / 393	742 / 625	326 / 274	511 / 430
8272957	SXP 2.0	1/2	18	531 / 446	844 / 709	371 / 311	581 / 487
8181922	XP 200	1/4	16	664 / 562	1056 / 894	464 / 392	727 / 615
8153299	XP 35	3/8					
8295922	SXP 35	3/8					
8271957	SXP 3.5	1/2					

Notes:

1. The strength of the steel deck, Sammy X-Press connector, or threaded rod, bolt, and other connecting hardware shall be equal to or greater than the governing load combination as stipulated in the IBC or ASCE/SEI 7.
2. SAMMY X-Press connectors shall be installed per manufacturer's instructions.

VERCO ROOF DECK SAMMY X-PRESS HANGING SOLUTIONS

HANG SPRINKLER PIPES FROM VERCOROOF AND ACOUSTICAL ROOF DECK

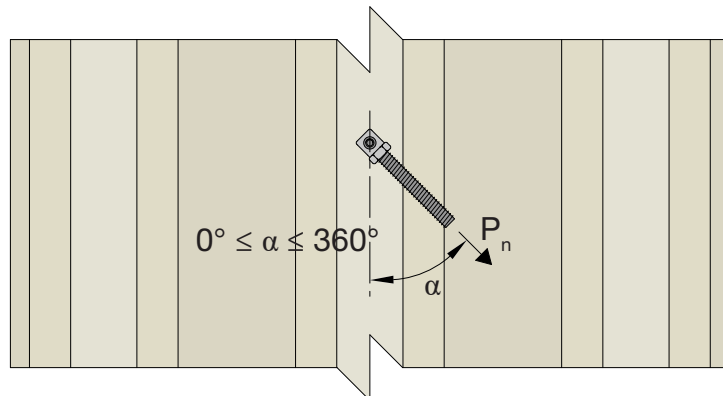
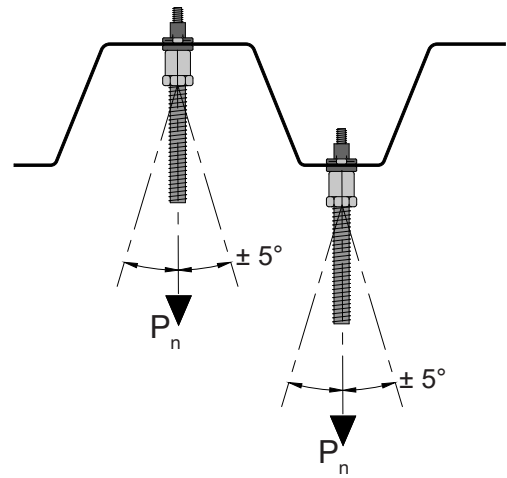
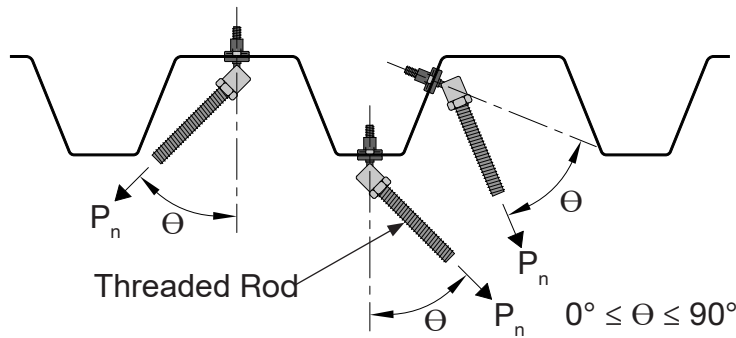


MAXIMUM SPRINKLER PIPE DIAMETER			GR50/GR40 DECK		
SAMMY X-Press Type			Deck Type		
Part Number	Model Number	Rod Size (in.)	Deck Gage	Solid (in.)	Perforated (in.)
8150922	XP 20	3/8	22	2 1/2 / 2	2 / 1 1/2
8294922	SXP 20	3/8	20	2 1/2 / 2 1/2	2 / 2
8272957	SXP 2.0	1/2	19	3 / 2 1/2	2 1/2 / 2
			18	3 1/2 / 3	2 1/2 / 2 1/2
8153299	XP 35	3/8			
8295922	SXP 35	3/8	16	4 / 4	3 1/2 / 3
8271957	SXP 3.5	1/2			



Notes:

1. Maximum fire sprinkler pipe size in accordance with NFPA 13.
2. The strength of the steel deck, Sammy X-Press connector, or threaded rod, bolt, and other connecting hardware shall be equal to or greater than the governing load combination as stipulated in the IBC or ASCE/SEI 7 including the fire sprinkler system loading.
3. SAMMY X-Press connectors shall be installed per manufacturer's instructions.



NOTICE: Design defects that could cause injury or death may result from relying on the information in this document without independent verification by a qualified professional. The information in this document is provided "AS IS". Nucor Corporation and its affiliates expressly disclaim: (i) any and all representations, warranties and conditions and (ii) all liability arising out of or related to this document and the information in it.